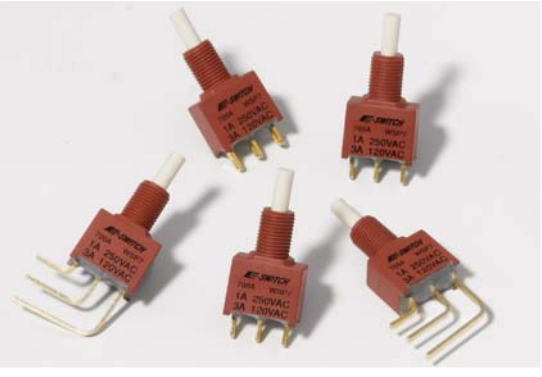


SERIES 700A SWITCHES

PUSHBUTTON SWITCHES



FEATURES & BENEFITS

- ▶ Snap acting contact design
- ▶ Gold & silver contact options
- ▶ Multiple termination options
- ▶ IP-67 sealed design

APPLICATIONS/MARKETS

- ▶ Telecommunications
- ▶ Networking
- ▶ Computers/servers
- ▶ Performance audio
- ▶ Instrumentation
- ▶ Low power on/off designs
- ▶ External hard drives and modems

SPECIFICATIONS

| | |
|------------------------|---|
| Contact Rating: | Gold, 0.4 VA Max @ 20V (AC or DC) Max Silver, 3A @ 120 VAC or 28 VDC, 1A @ 250 VAC |
| Life Expectancy: | 50,000 cycles |
| Contact Resistance: | 20mΩ1 |
| Insulation Resistance: | 1000MΩ1 |
| Dielectric Strength: | 1500V RMS |
| Operating Temperature: | -30°C to 85°C |

MATERIALS

| | |
|------------|------------------------------------|
| Housing: | Nylon, UL94V0 |
| Actuator: | Nylon, UL94V0 |
| Contacts: | Brass, silver or gold plated |
| Terminals: | Silver or gold plated copper alloy |

HOW TO ORDER

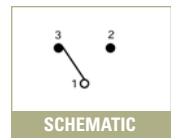
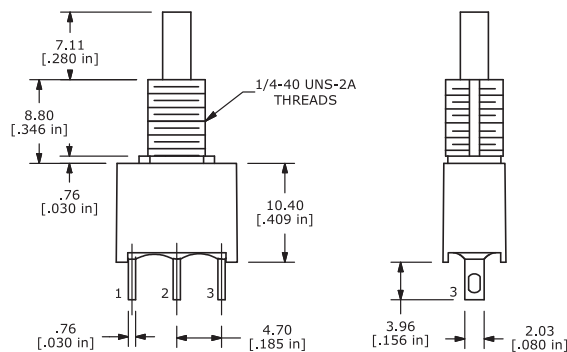
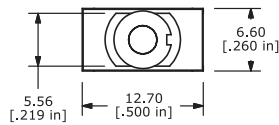
| SERIES | MODEL NO. | BUSHING | TERMINATION | CONTACT MATERIAL | SEAL | HARDWARE |
|--------|------------|------------|------------------------------------|------------------------|--|---|
| 700A | SP7 DP7 | B10 B21 | M1 M2 M6 M7 VS2 VS3 | Q = Silver R = Gold | E = Epoxy seal on terminals (standard) | H = Hardware included w/threaded bushing (standard) |

Example Ordering Number
700A-SP7-B10-M2-Q-E-H

Specifications subject to change without notice.

M1

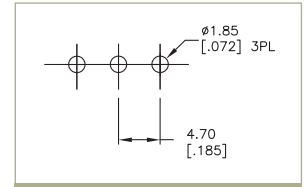
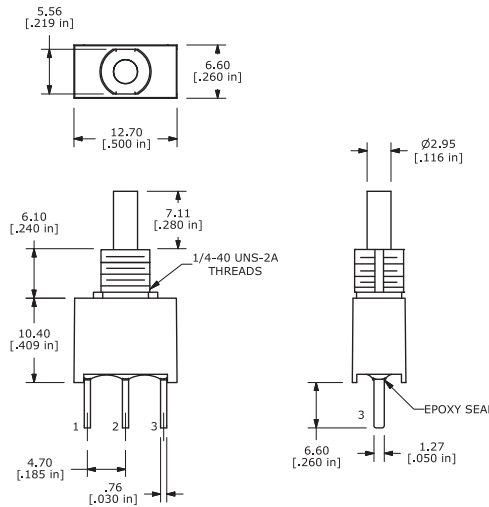
SOLDER



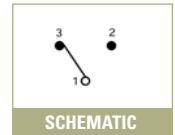


M2

PC



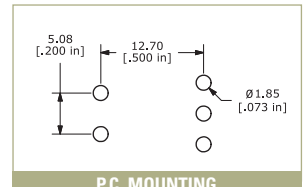
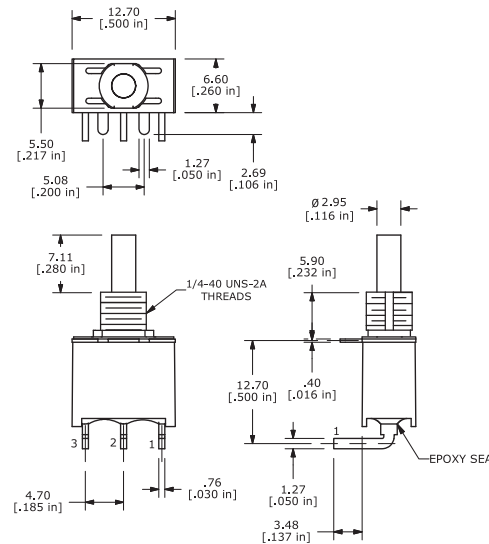
P.C. MOUNTING



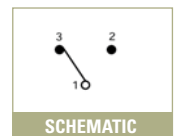
SCHEMATIC

M6

RIGHT ANGLE



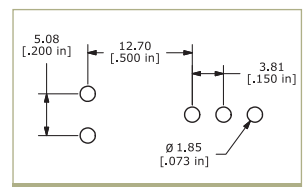
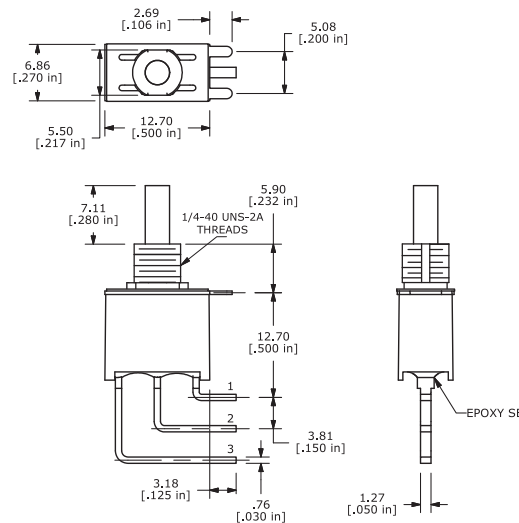
P.C. MOUNTING



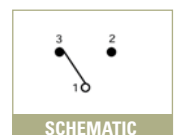
SCHEMATIC

M7

VERTICAL RIGHT ANGLE



P.C. MOUNTING



SCHEMATIC

TACT SWITCHES

NAVIGATION SWITCHES

PUSHBUTTON SWITCHES

TOGGLE SWITCHES

ROCKER SWITCHES

SLIDE SWITCHES

SNAP-ACTION SWITCHES

DIP SWITCHES

KEYLOCK SWITCHES

ROTARY SWITCHES

DETECTOR SWITCHES

CAP OPTIONS

SERIES 700A SWITCHES

PUSHBUTTON SWITCHES

TACT SWITCHES

NAVIGATION SWITCHES

PUSHBUTTON SWITCHES

TOGGLE SWITCHES

ROCKER SWITCHES

SLIDE SWITCHES

SNAP-ACTION SWITCHES

DIP SWITCHES

KEYLOCK SWITCHES

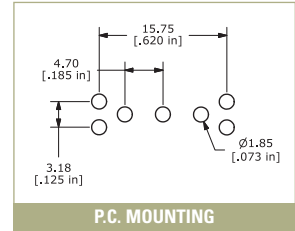
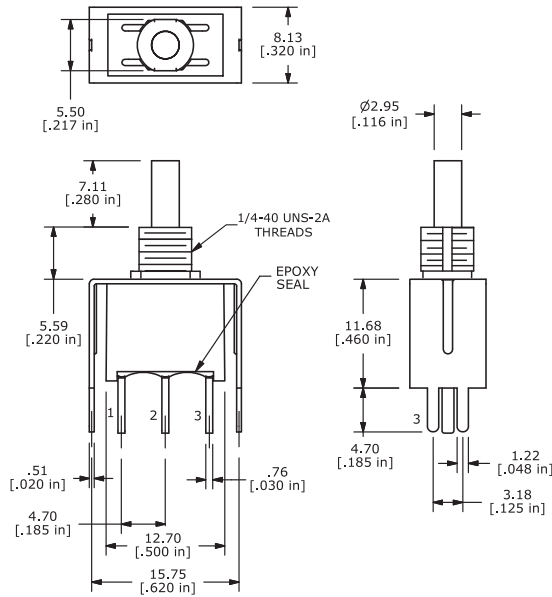
ROTARY SWITCHES

DETECTOR SWITCHES

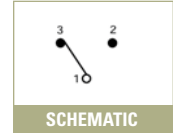
CAP OPTIONS

VS2

460 SUPPORT BRACKET



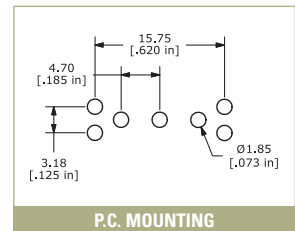
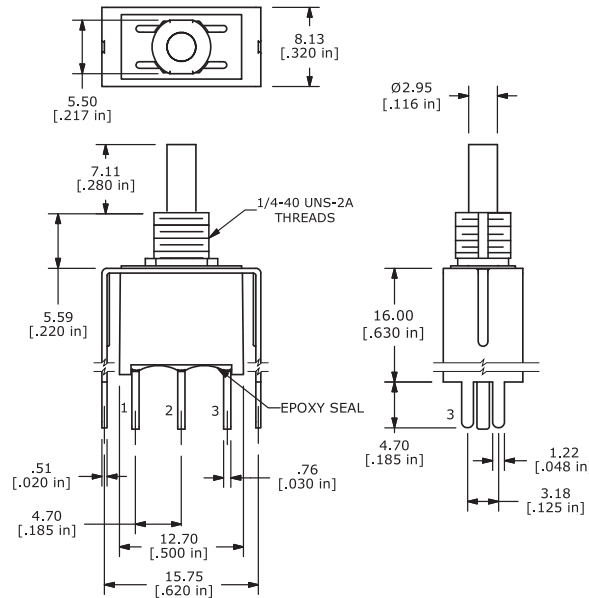
P.C. MOUNTING



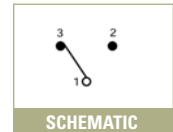
SCHEMATIC

VS3

630 SUPPORT BRACKET



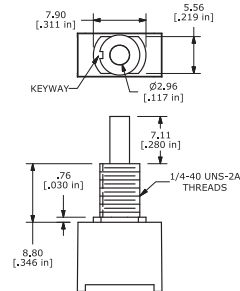
P.C. MOUNTING



SCHEMATIC

BUSHING OPTIONS

B10 THD



B21 NON-THD

